
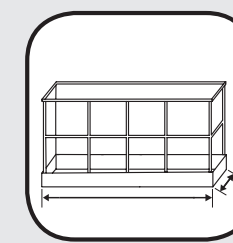
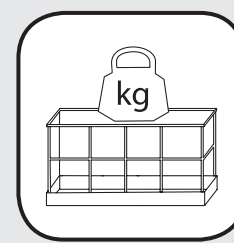
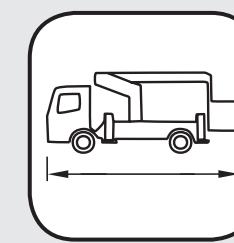
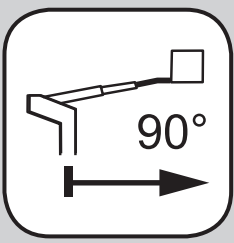
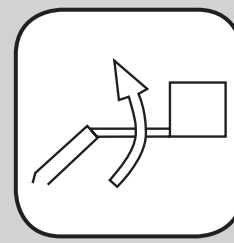
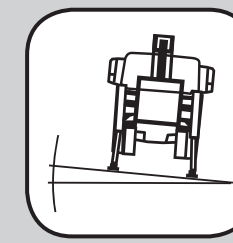
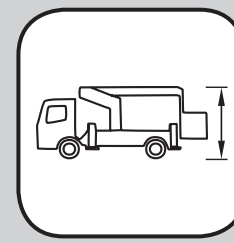
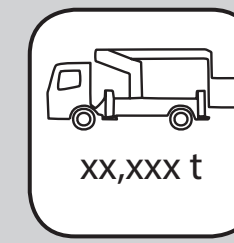
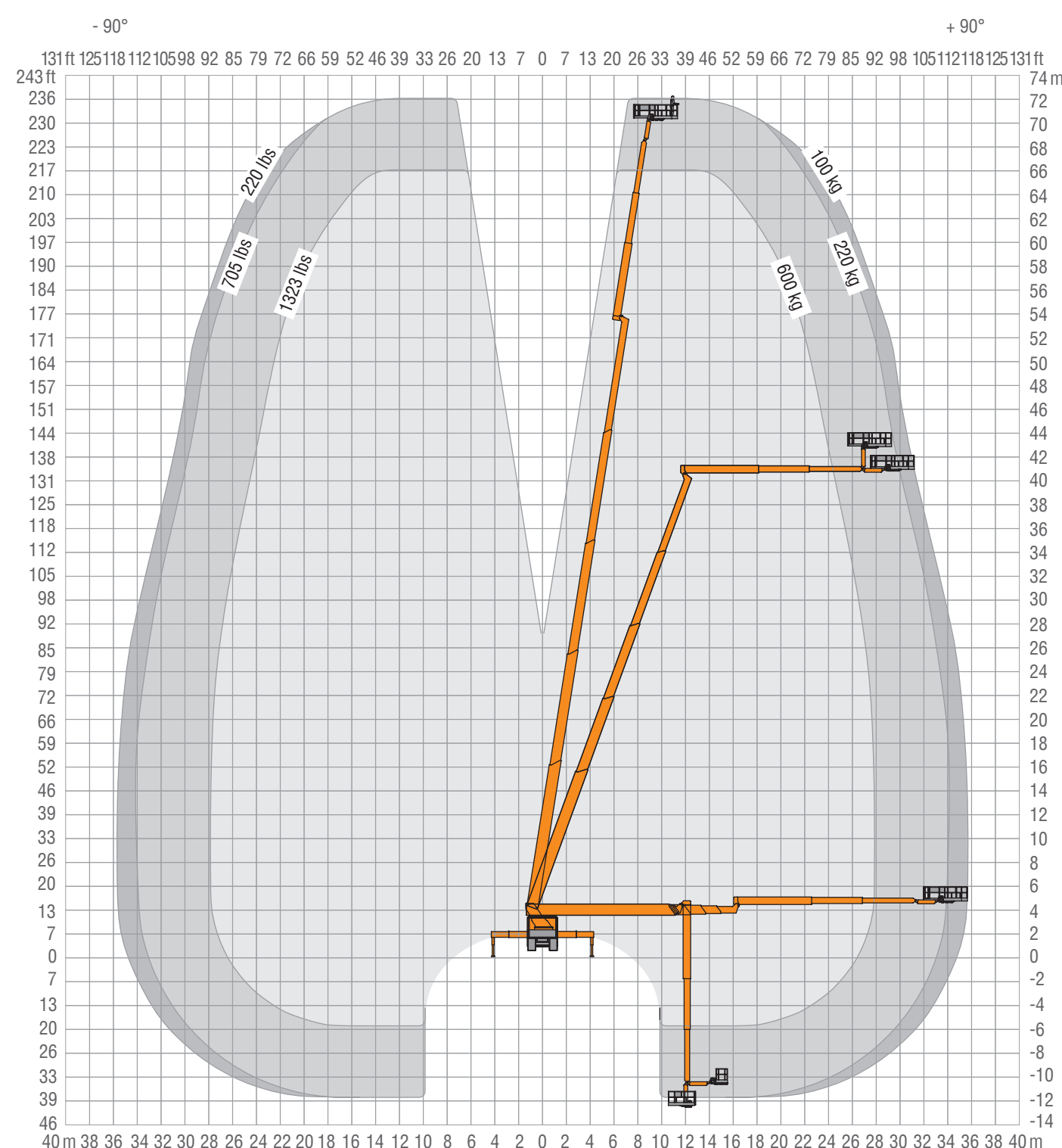


RUTHMANN T 235 A



RUTHMANN T 235 A

	235 ft 72 m				8' 0" x 3' 2" extendable to 12' 6" wide		1.323 lbs 600 kg		40' / 45' 2" 12,290 m / 13,763 m
	118 ft 36 m		180°		2°		<13' 6"		80,000 lbs xx,xxx t



Compact package

- + 235ft working height
- + 118ft side reach
- + 1323 lbs platform capacity
- + COCKPIT - control unit with display
- + 40 feet below grade reach
- + Multi-beveled boom profile
- + Auto outrigger setting and leveling
- + Kenwort T800 Chassis